

STANDARD 230M Series

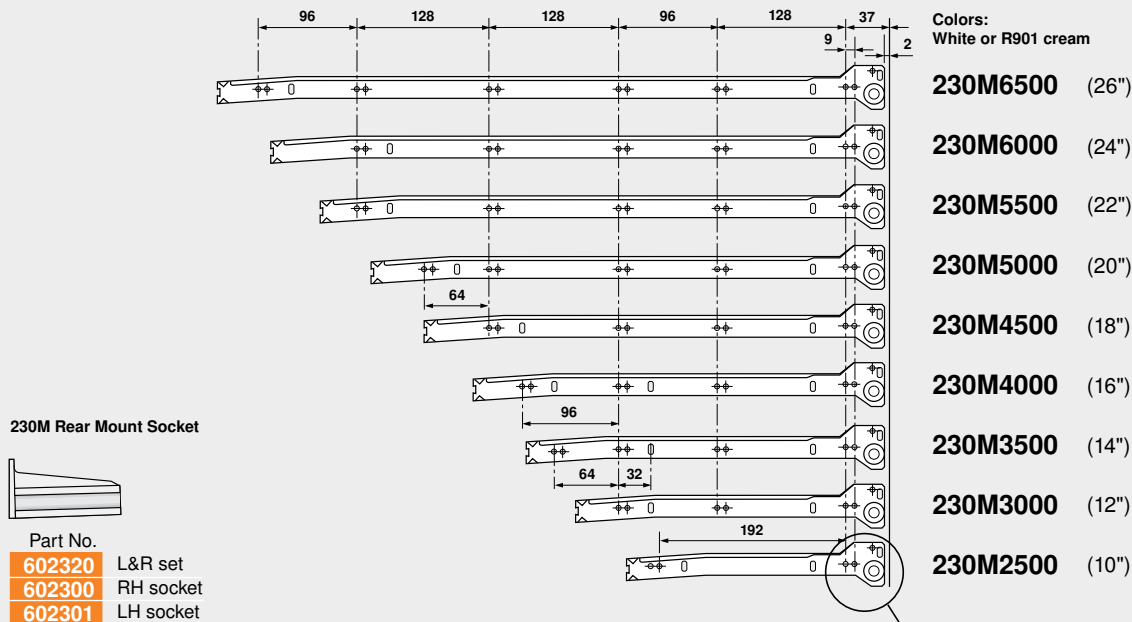
Bottom mounted single extension drawer runners

Specifications

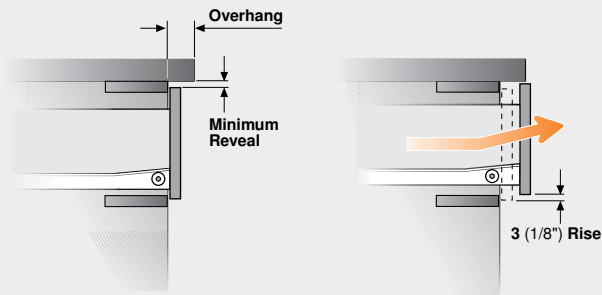
Runner	Nominal Length Inches	Frame Cabinet Interior Depth*		Minimum Panel Cabinet Interior Depth*	Suggested Drawer Length	Extension Loss**	Cabinet & Drawer Profile Length
		Maximum	Minimum				
230M6500	26"	714 (28 ⁵ / ₈ "	677 (26 ¹¹ / ₁₆ "	653 (25 ³ / ₄ "	650 (25 ⁵ / ₈ "	127 (4 ⁵ / ₁₆ "	650 (25 ⁵ / ₈ "
230M6000	24"	664 (26 ¹ / ₈ "	627 (24 ¹¹ / ₁₆ "	603 (23 ³ / ₄ "	600 (23 ⁵ / ₈ "	120 (4 ¹ / ₁₆ "	600 (23 ⁵ / ₈ "
230M5500	22"	614 (24 ³ / ₁₆ "	577 (22 ³ / ₄ "	553 (21 ¹³ / ₁₆ "	550 (21 ¹¹ / ₁₆ "	110 (4 ⁵ / ₁₆ "	550 (21 ¹¹ / ₁₆ "
230M5000	20"	564 (22 ³ / ₁₆ "	527 (20 ³ / ₄ "	503 (19 ¹³ / ₁₆ "	500 (19 ¹¹ / ₁₆ "	102 (4")	500 (19 ¹¹ / ₁₆ "
230M4500	18"	514 (20 ¹ / ₄ "	477 (18 ¹³ / ₁₆ "	453 (17 ⁷ / ₈ "	450 (17 ³ / ₄ "	95 (3 ³ / ₄ "	450 (17 ³ / ₄ "
230M4000	16"	464 (18 ¹ / ₄ "	427 (16 ¹³ / ₁₆ "	403 (15 ⁷ / ₈ "	400 (15 ³ / ₄ "	85 (3 ³ / ₈ "	400 (15 ³ / ₄ "
230M3500	14"	414 (16 ¹ / ₄ "	377 (14 ¹³ / ₁₆ "	353 (13 ⁷ / ₈ "	350 (13 ³ / ₄ "	85 (3 ³ / ₈ "	350 (13 ³ / ₄ "
230M3000	12"	364 (14 ⁵ / ₁₆ "	327 (12 ⁷ / ₈ "	303 (11 ¹⁵ / ₁₆ "	300 (11 ¹³ / ₁₆ "	85 (3 ³ / ₈ "	300 (11 ¹³ / ₁₆ "
230M2500	10"	314 (12 ⁵ / ₁₆ "	277 (10 ⁷ / ₈ "	253 (9 ¹⁵ / ₁₆ "	250 (9 ¹³ / ₁₆ "	59 (2 ⁵ / ₁₆ "	250 (9 ¹³ / ₁₆ "

* For overlay drawer fronts. Space requirements for inset drawers will vary according to front thickness. A trial is recommended.

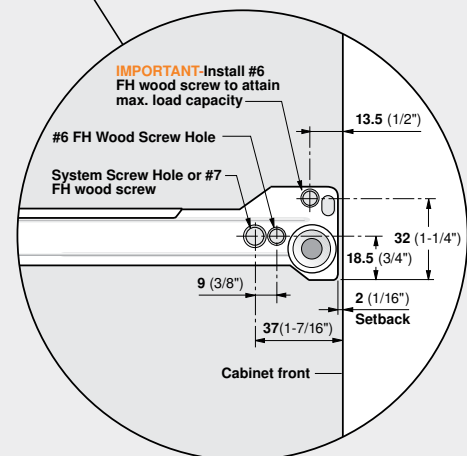
** At suggested drawer length.

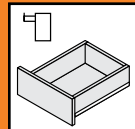


IMPORTANT: The Blumatic design lowers the drawer into the closed position. Consult the minimum reveal table to make sure the drawer front clears the countertop overhang when the drawer opens.



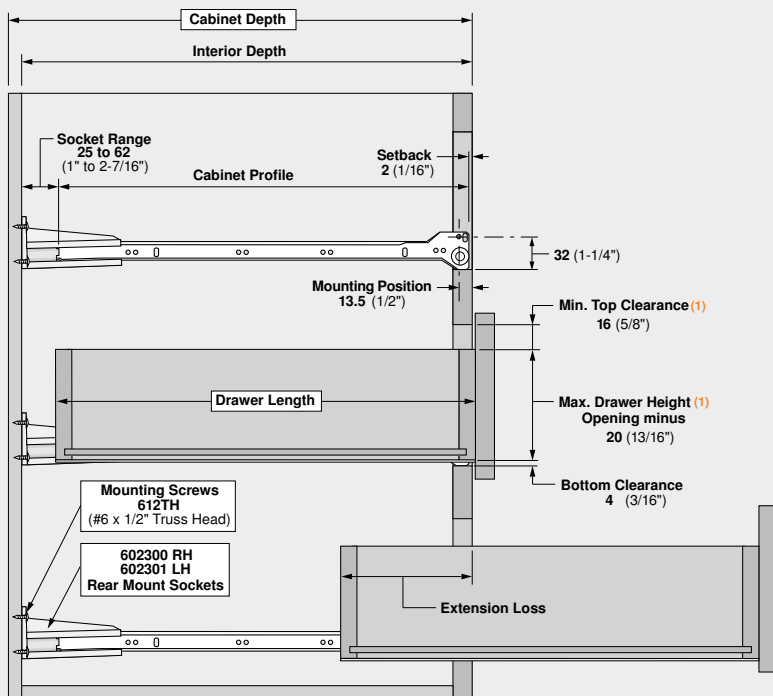
Overhang	16 (5/8")	32 (1 1/4")	48 (1 7/8")
Minimum Reveal	1 (1/32")	2 (3/32")	3 (1/8")



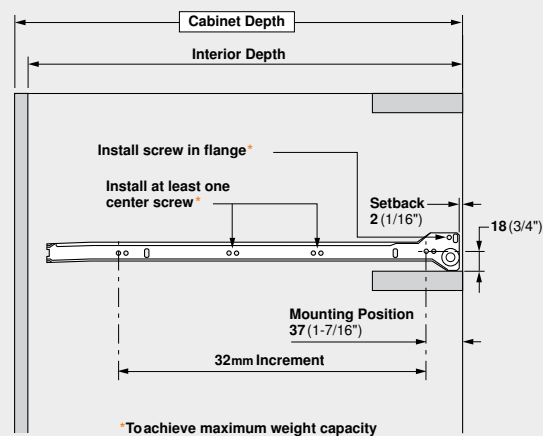


Drawer and cabinet specifications

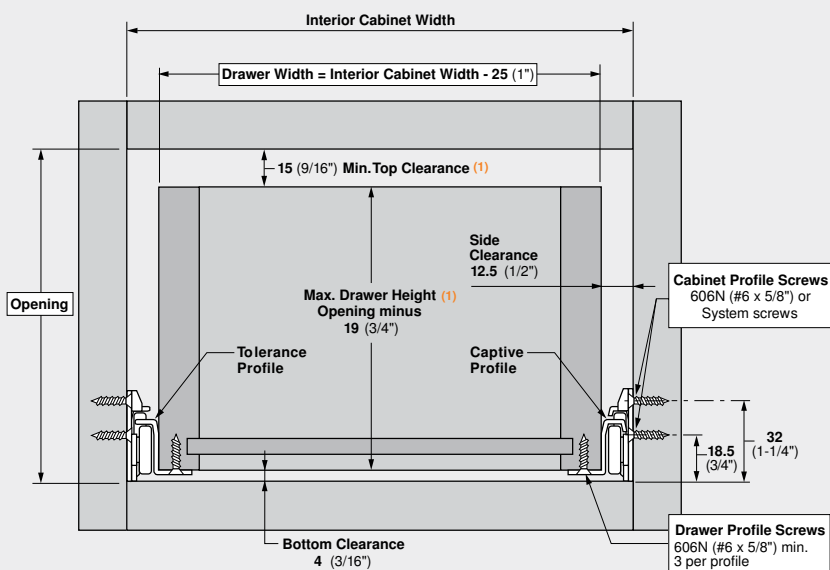
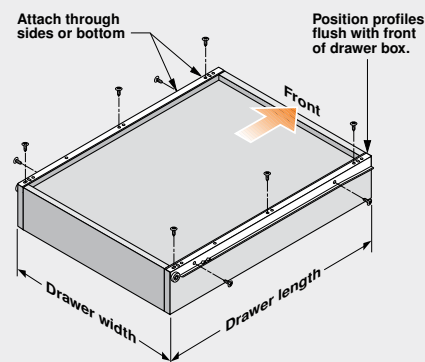
Frame Cabinet Installation



Panel Cabinet Installation



Drawer Profile Mounting



(1) Minimum top clearance and maximum drawer height when drawer is of recommended length and tilting to remove is not desired.

Rear Mount Socket Location

